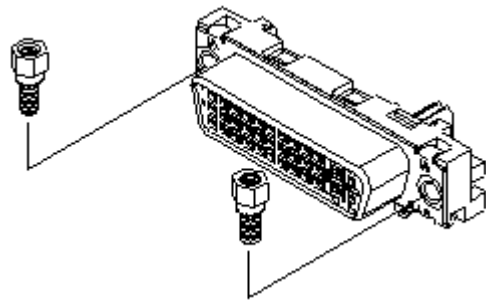
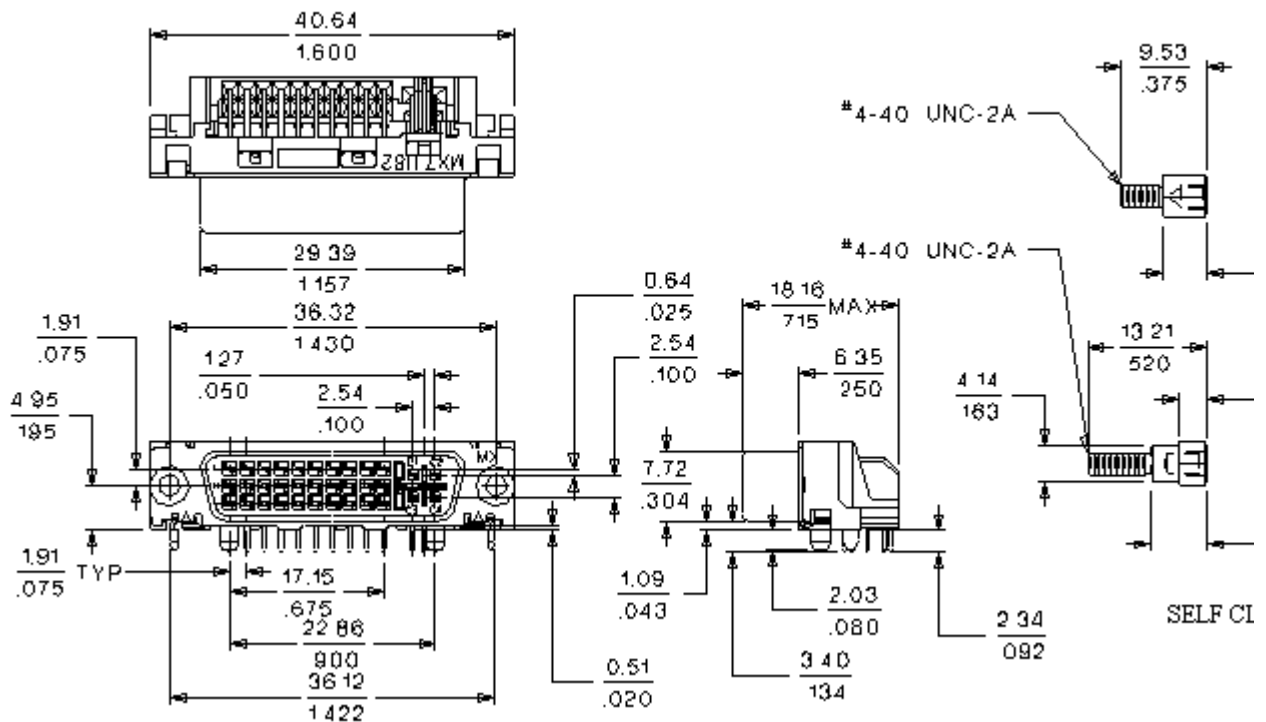


Input/Output MicroCross™ P&D-A Receptacle Header and Hardware - Right Angle, Panel Mount, Through Hole 71182 / 71781



RECEPTACLE

JACK POST



Above Drawing For Reference Only

Ordering Information Top ↑		
Description	Order No.	Plating
Right Angle Receptacle	71182-2000	See Datasheet
Jackpost	71781-0001	Clear Chromate
Self-Clinching Jackpost	71781-0002	Zinc/Yellow Chromate